

Most PWS firearms have an adjustable gas system.

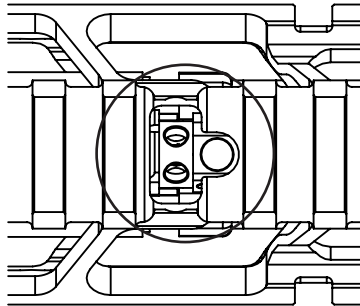
The PCC line and .300BLK caliber items do NOT have an adjustable gas system.

To adjust your gas settings, please use the included rifle service tool (or the tip of a bullet) to adjust your settings as directed below.

NOTE: On the MK1 ALPHA line, you will see that the gas adjustment knob features numbers instead of circles. The number on the gas block matches the setting number/number of circles on all other gas adjustment systems. The MK1 ALPHA line also does not use the PWS Rifle Service Tool. You can use the lug of a standard bolt, a flathead screwdriver, or something similar to adjust the gas.

Setting 1:

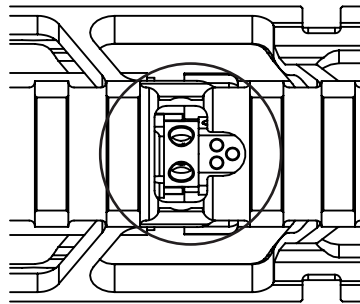
If you are not using a suppressor, setting 1 is recommended with all types of factory ammunition and in all conditions for maximum reliability.



Setting 1

Setting 3:

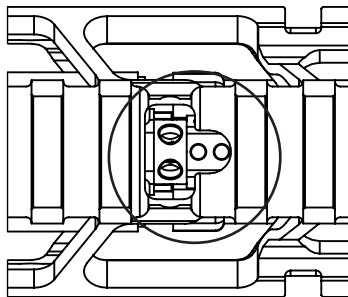
When using a suppressor, we suggest setting 3



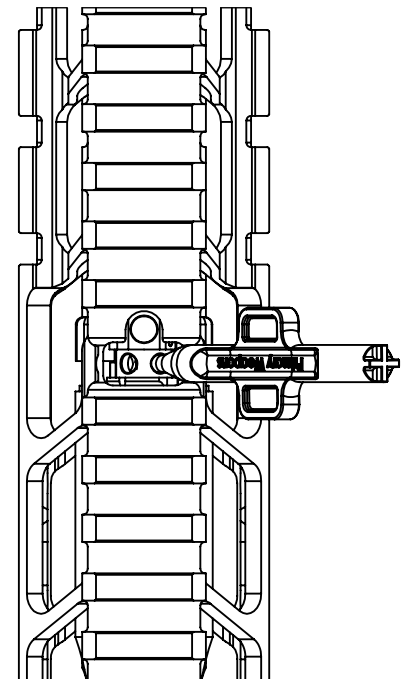
Setting 3

Setting 2:

When running Setting 3, if your firearm feels sluggish or stops functioning reliably, try setting 2. Many modern suppressors have lower back pressure and require this setting to function reliably.



Setting 2



Setting 1 with Gas Adjustment Tool Inserted: