

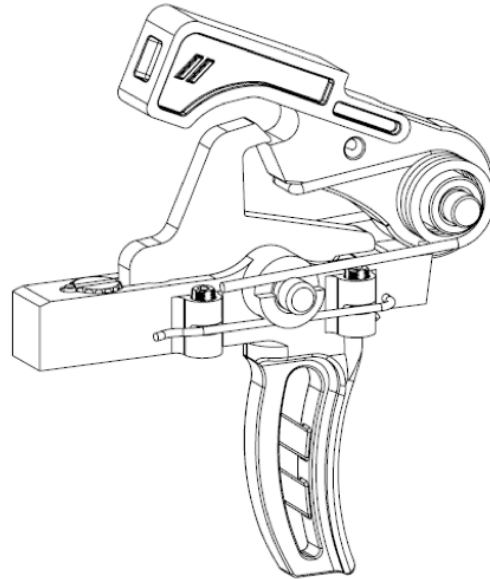
NON FACTORY INSTALLATION INSTRUCTIONS

WARNING

Zero liability is expressed or implied for damage, injury, or death resulting from the improper installation or use/misuse of this product. It is strongly suggested that a qualified gunsmith double check the safety and function of this trigger once installed prior to any live fire, if you have any questions please contact:

**ZEV Technologies customer service:
805-486-5800**

Prior to start of any installation, make sure your rifle is clear by removing the magazine, open the action, and visually check the chamber to ensure it is completely unloaded.



SKU: TRG-SSR

We recommend that you read these instructions thoroughly

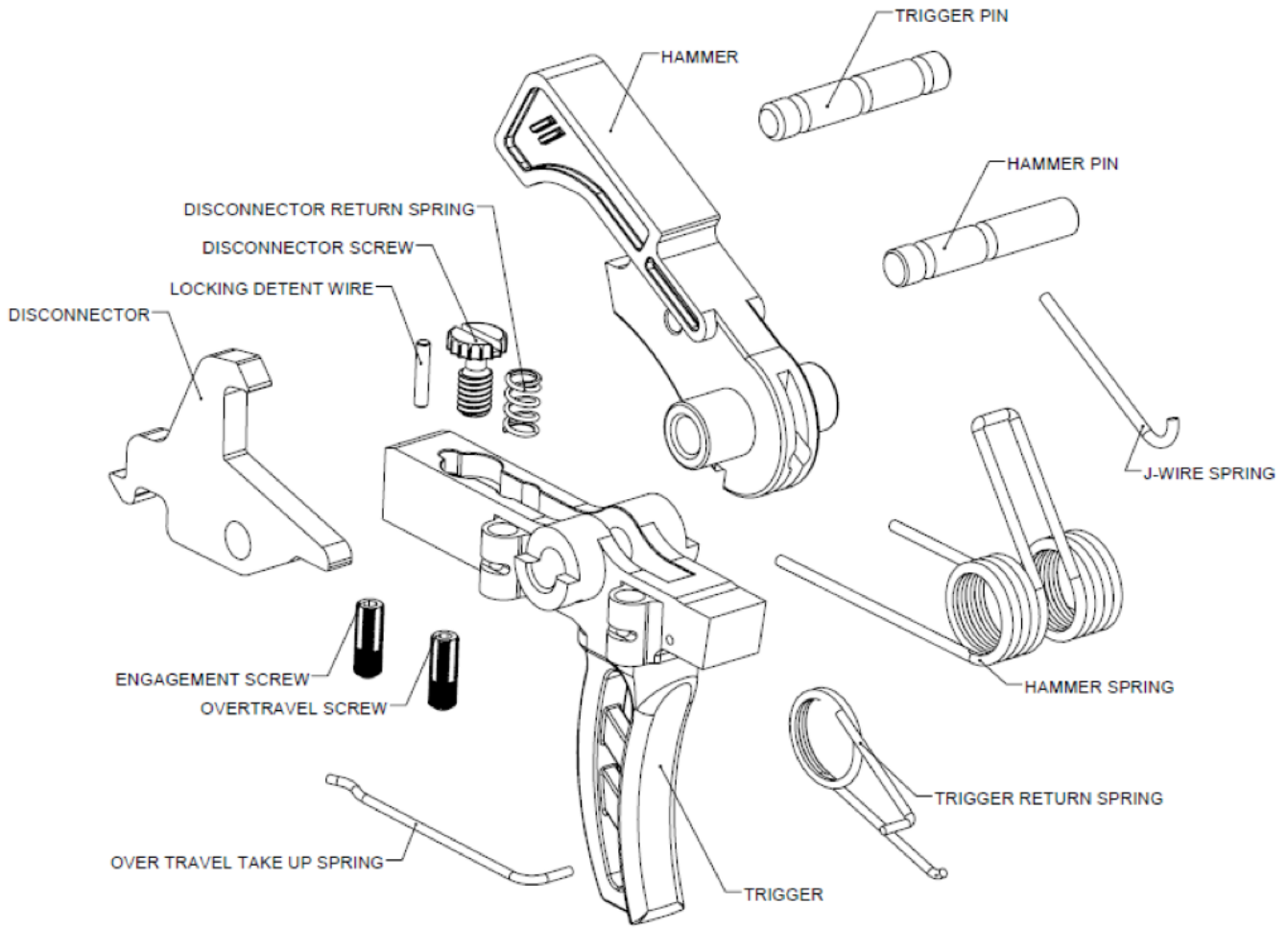
These installation instructions are intended for those with experience and a thorough understanding of the AR-15 trigger system. If you are not comfortable at any time, have this installation performed by an experienced gunsmith.

As a brief description of the design, the ZEV adjustable trigger is meant to accommodate the variation that exists within the fire control group of AR-15 pattern lower receivers and allow for a consistent sear engagement surface within standard mil-spec & industry tolerances.

While the function of the adjustment screws are similar to other designs, the ZEV trigger is unique in that it provides positive adjustment feedback (the installer can feel the number clicks as the screws are rotated clockwise or counter clockwise) while not requiring a thread lock compound once the desired setting takes place. Once installed and test fired, the trigger should not need to be adjusted at any time, even after cleaning or disassembly.

ZEV// SINGLE STAGE RIFLE TRIGGER (SSR)

SSR PARTS DIAGRAM



ZEV// SINGLE STAGE RIFLE TRIGGER (SSR)

Step 1

Ensure that the firearm is unloaded. Remove the take-down pins and separate the upper and lower receiver assemblies. In order to properly support the lower receiver during installation, it is recommended that a Lower Receiver Armorer's Block or similar device is used.

Step 2

Turn the Safety Selector to "Fire" and with a thumb on top of the hammer, pull Trigger to release Hammer. Remove the Hammer Pin using a plastic mallet and drift in order to prevent damage to the Lower Receiver. Remove the Hammer and Hammer Spring.

Step 3

Take Lower Receiver off of Armorer's Block and turn upside down to access the interior of the Pistol Grip. Remove Pistol Grip bolt. Carefully remove Pistol Grip so that the Safety Selector Detent Spring is retained. Rotate the Lower Receiver off of the Armorer's Block so that the Safety Selector Detent is retained as well.

Step 4

Remove the Safety Selector Lever.

Step 5

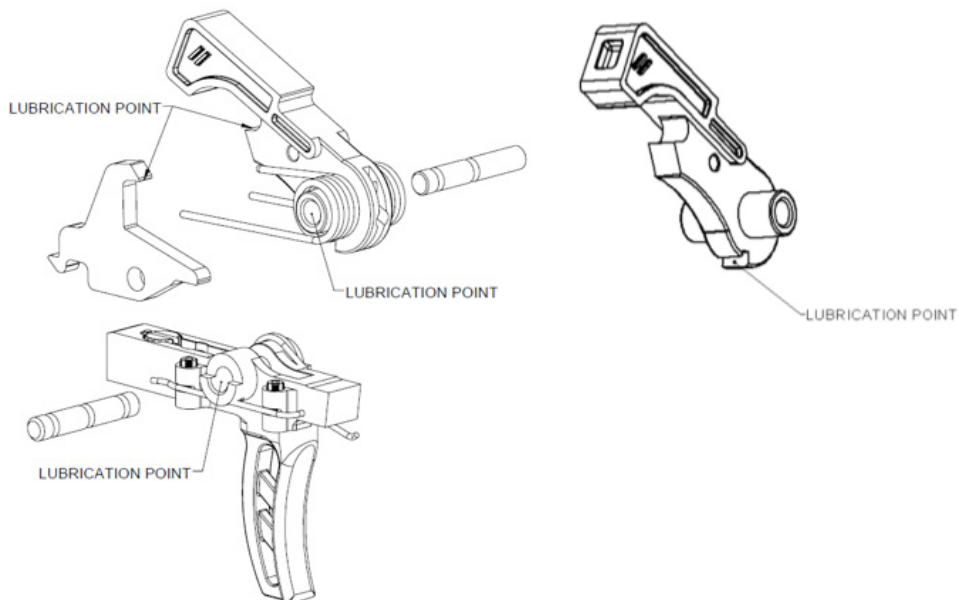
Remove the Trigger Pin using a plastic mallet and drift in order to prevent damage to the Lower Receiver. Remove the Trigger assembly, including the disconnecter.

Step 6

Clean the fire control group pocket in the Lower Receiver thoroughly. Brake cleaner or similar solvent should be used to remove any contaminants from the area prior to installation. Extra care should be given to remove debris from the bottom of the trigger well as the cleanliness of this surface will affect the contact distance of the Engagement and Overtravel screws.

Step 7

Take the ZEV Trigger Assembly and lubricate the following components as shown in the diagram below (Hammer Pin Bore, Trigger Pin Bore, Hammer to Disconnector Hook Point, Disconnector to Hammer Hook Point, and Sear).



ZEV// SINGLE STAGE RIFLE TRIGGER (SSR)

Step 8

Install the ZEV Trigger Assembly in the bottom of the fire control group pocket.
Do not insert the Trigger Pin.

Step 9

Install Safety Selector Lever.
If using an Ambi-Safety Selector Lever, then use a small amount of blue Loctite to the screw threads before reinstallation.

Step 10

Insert Disconnecter by placing the tail underneath the Disconnecter Set Screw and rotate it forward, making sure that the Disconnect Spring goes into the groove in the underside of the Disconnecter.

Step 11

Install and align the Trigger Pin (which does not have a groove in the middle of the pin) through the trunnions on the Trigger (including the Disconnecter) with the Lower Receiver pin holes.
Use a Plastic Mallet to ensure the Trigger Pin is seated flush with both sides of the Lower Receiver.

Step 12

Remove the Lower Receiver from the Armorer's Block and rotate upside down to reinstall the Pistol Grip.
Move the Safety Selector Lever to "Safe" and drop the Safety Selector Detent into the associated bore to locate it in place.

Step 13

Place Safety Selector Detent Spring into the Pistol Grip and take care that the spring stays in place while being lowered upside down onto the Lower Receiver.
Install the Pistol Grip Bolt and tighten.

Step 14

Remove the Lower Receiver from the Armorer's Block, turn it right side up again, and reinstall on the Block.

Step 15

Ensure Safety Selector is on "Safe" and prepare the Hammer and Hammer Spring for installation by rotating the legs of the Hammer Spring to the correct orientation so that one leg will rest on the groove in the Trigger Pin.

Step 16

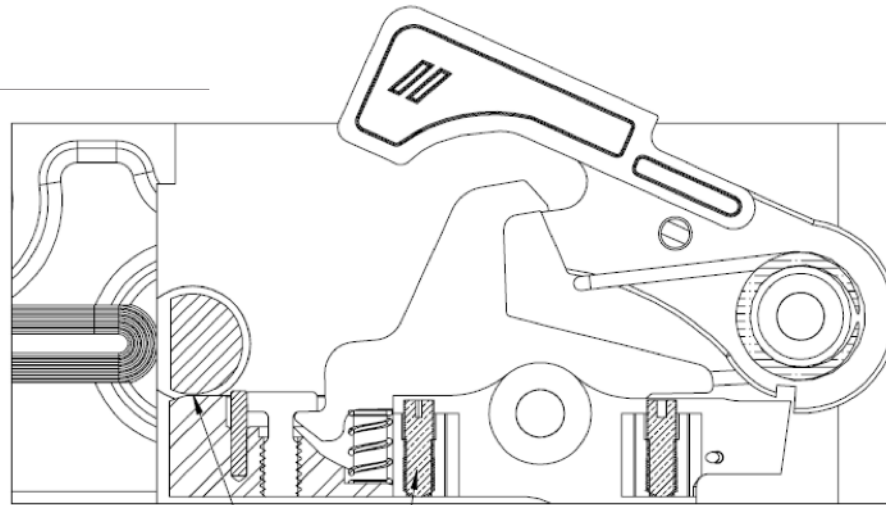
Install and align the Hammer Pin through the trunnions of the Hammer (including the Hammer Spring) with the Lower Receiver pin holes. Use a Plastic Mallet to ensure the Hammer Pin is seated flush with both sides of the Lower Receiver.

Step 17

Refer to the SSR Trigger Adjustment section on pages 5-6 for adjustment process.

SSR TRIGGER ADJUSTMENT

Fig 1

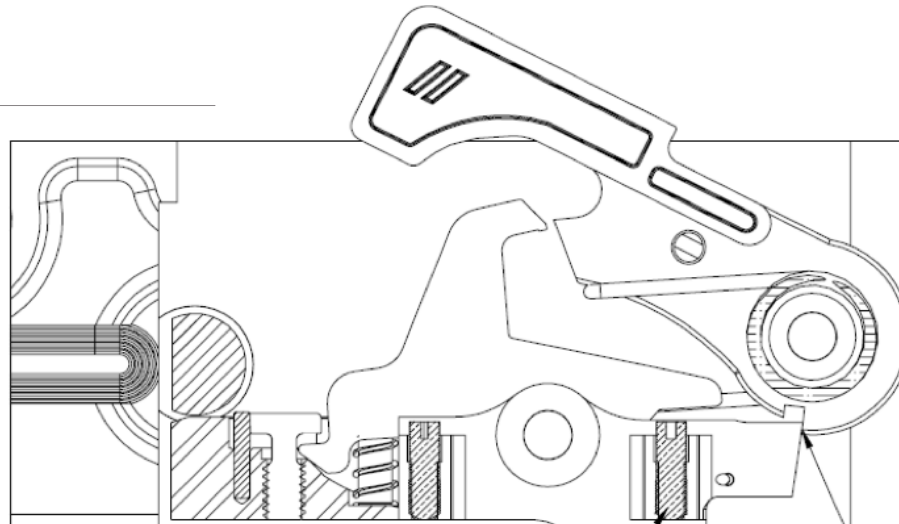


SAFETY ENGAGED WITH CONTACT FROM TRIGGER

ENGAGEMENT SCREW

With the safety pointed on "SAFE", cock the hammer, and tighten the engagement screw (rear screw) until the rear of the trigger makes contact with the safety. You can loosen the engagement screw to have more sear engagement and higher trigger pull. The safety should rotate without interference after adjustment.

Fig 2



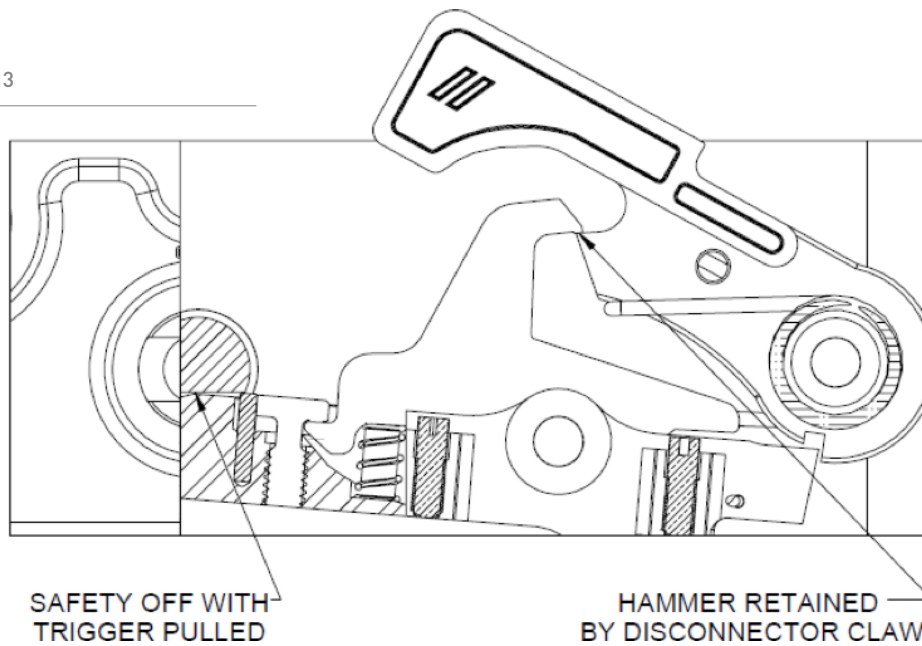
OVER TRAVEL SCREW

HAMMER RESTING ON SEAR

Ensure the hammer is back and resting on the sear of trigger (not the disconnector) cover the hammer with your hand to prevent damage to the receiver when it breaks free, screw the over travel screw (front screw) down until it comes to a stop. Pull the trigger (still covering the hammer) and unscrew the over travel screw (front screw) until the hammer becomes free. Continue unscrewing the over travel screw two more clicks to ensure clean sear clearance during firing.

SSR TRIGGER ADJUSTMENT

Fig 3



With the safety off and trigger pulled, bring the hammer back and adjust the disconnector until the hammer is retained by the claw in the disconnector. Releasing the trigger should allow the disconnector to disengage and allow the hammer to catch on the sear engagement.

The ZEV Trigger should now be tested several times both disassembled by hand and with the rifle reassembled by cycling the carrier group while the rifle is unloaded. The ZEV Trigger is now adjusted and does not require Loctite to hold the settings.

As an additional verification of proper installation, note that the sear engagement can be determined by hitting the back of the buttstock (simulating a "slam fire"). The hammer should not break free from contact.

If this happens, DO NOT PROCEED WITH LIVE FIRE. YOUR TRIGGER IS NOT ADJUSTED CORRECTLY.